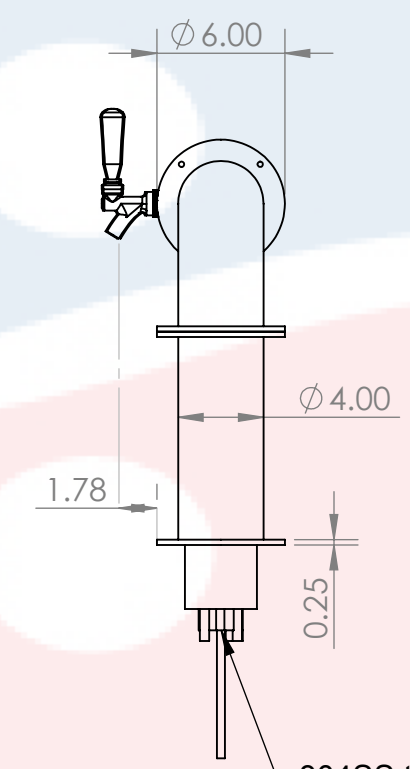
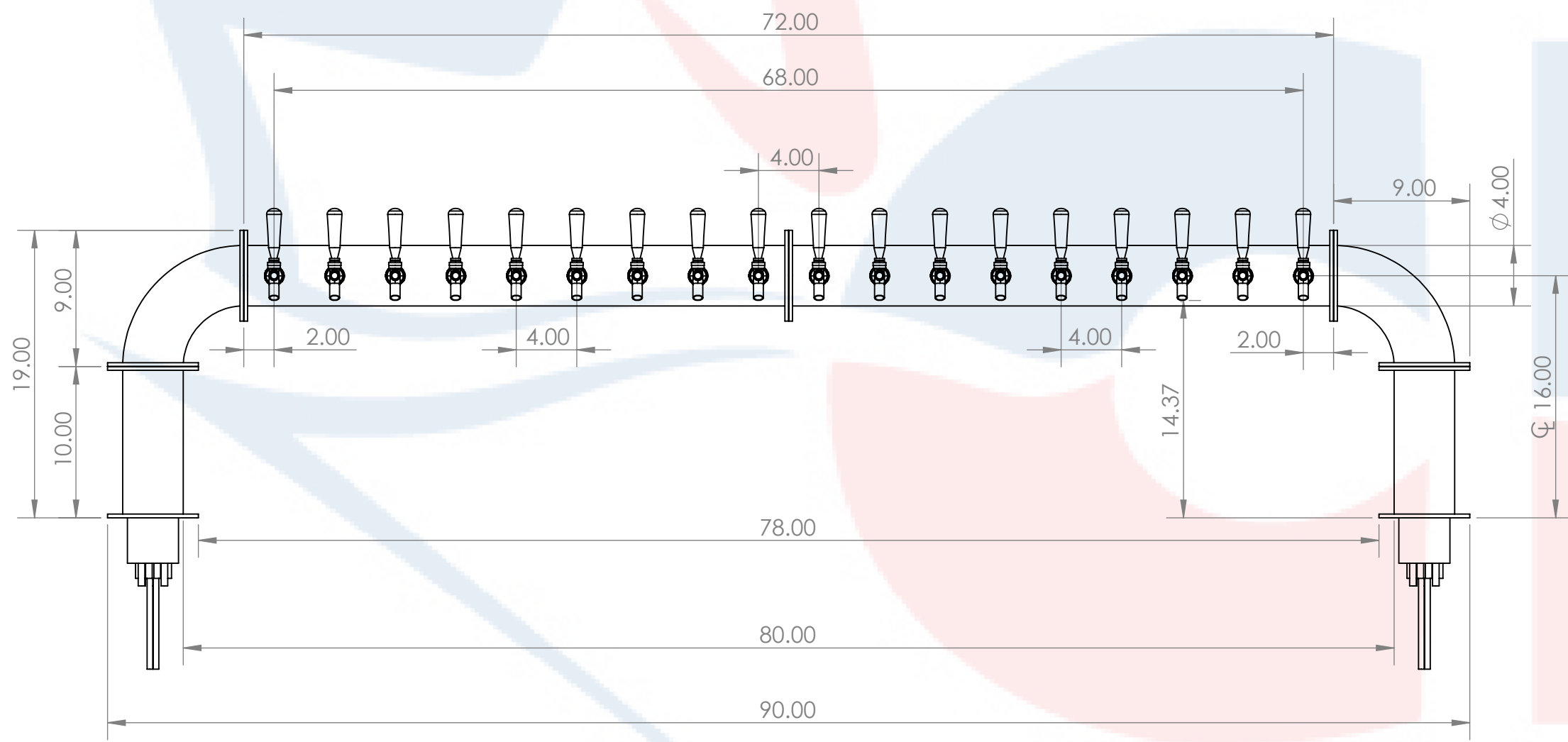
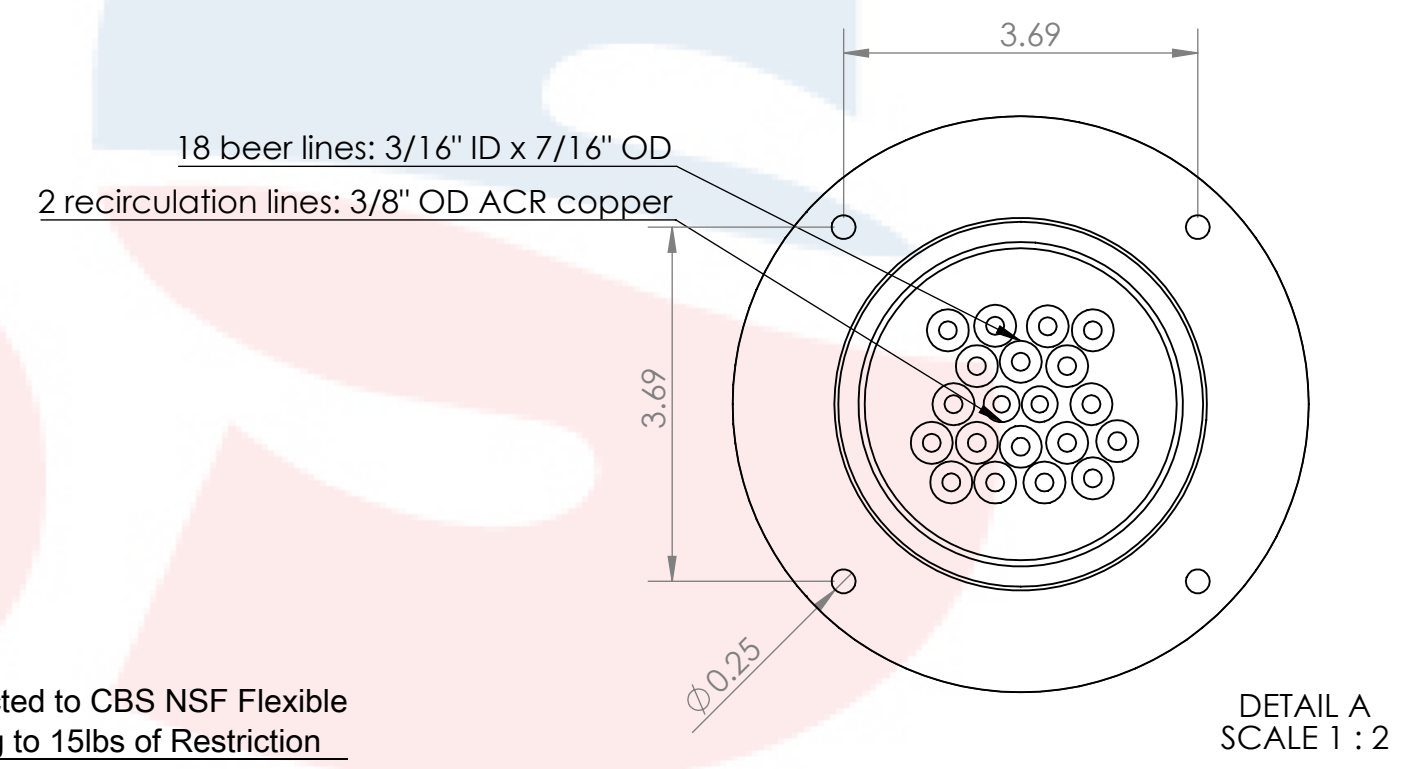


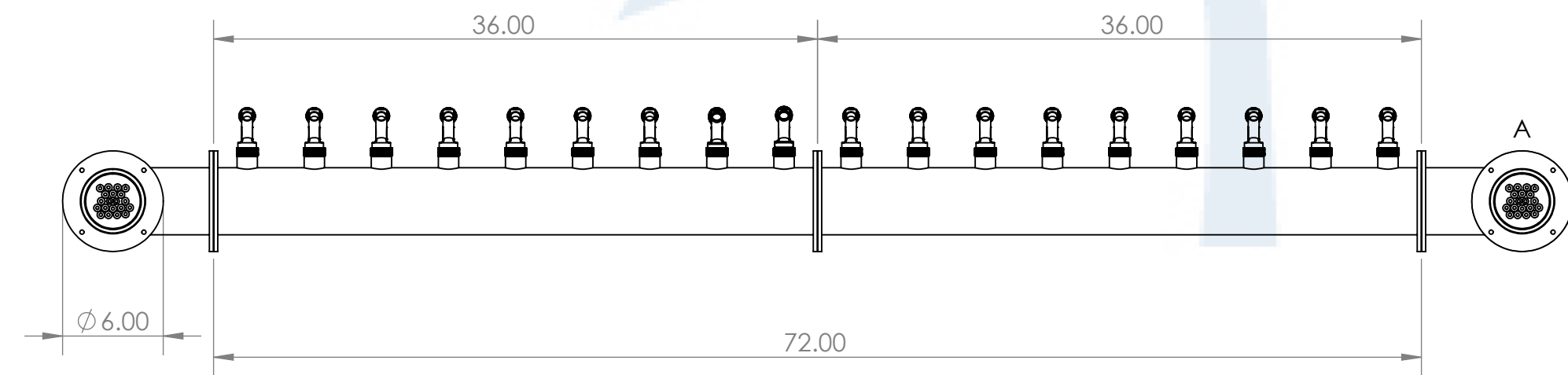
Isometric View  
(For reference purpose only)



304SS tube connected to CBS NSF Flexible  
Total Barrier Tubing to 15lbs of Restriction



DETAIL A  
SCALE 1:2



Suggested Drip Tray:  
2 x BB701339 - 39" x 7" BSS Drip Tray  
2 x BB702439 - 39" x 7" BSS Spray Drip Tray



Name		Date		Title:	
Drawn by:	Canadian Beverage Supply Inc.	11/24/2022		4" 18 Tap Lions Gate Tower	
Approved by:	VP Sales			Part Number: BB102629-18SSCK	
Material:	304 SS	Finish:	Brushed SS	Revision:	
Unless otherwise mentioned, dimensions are inches				SCALE: 1:9	SHEET 1 OF 1